

Economical.
Repeatable.

Amerimade Technology

A name that means quality

All of Amerimade's wet processing equipment is designed and engineered for safety, ease of use and low cost of ownership.

Ameri...quality.

Ameri...service.

Amerimade.

Quick Dump Rinse

DI Rinse Tanks

Precision designed and construction
Models available for over 500mm substrates
(2) top spray bars
Bottom fill ports
Bottom dump door with o-ring
360o cascade overflow
Valves for spray and fill control with anti-bacteria trickle adjustment
All flexible tubing

Available Materials

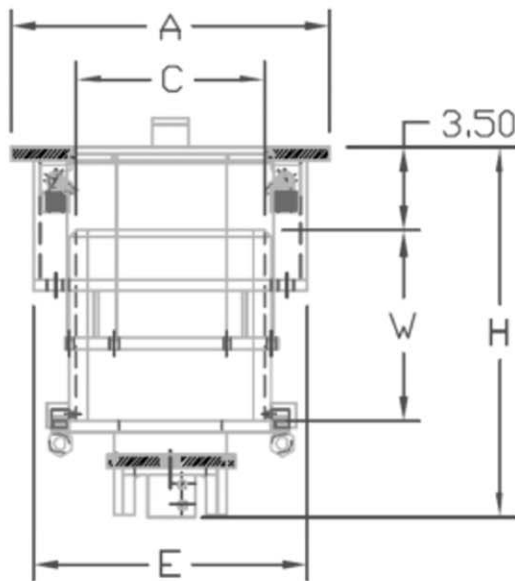
Natural polypropylene
PVDF
Teflon®



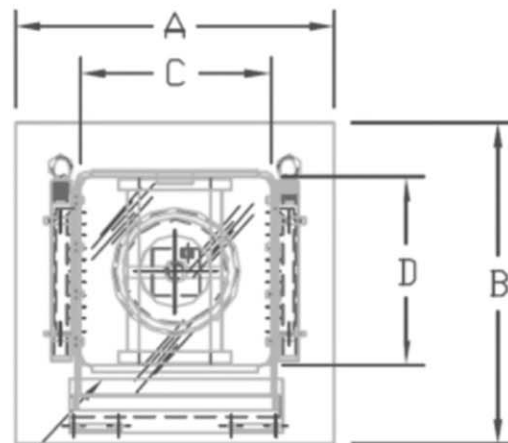
AMERIMADE
Technology Inc.

Amerimade QDR Tank Dimensions

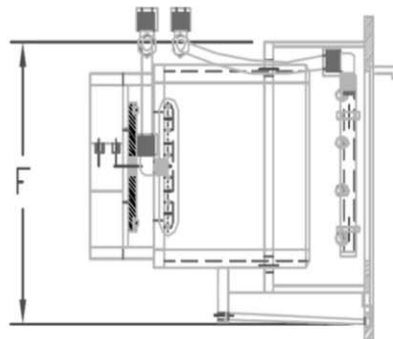
Model Number	Xfer Arm	Carrier Capacity	Flange Width	Flange Depth	Inside Width	Inside Depth	Deck Cut-out Width	Deck Cut-out Depth	Liquid Level	Capacity (Gallons)	Tank Height	Description
			A	B	C	D	E	F	W		H	
QDR41		1 x 4"	13.00	13.00	7.50	7.50	11.25	11.75	6.00	1.50	13.75	Quick Dump Rinse
QDR51		1 x 5"	13.00	13.00	7.50	7.50	11.25	11.75	7.00	1.75	14.75	Quick Dump Rinse
QDR61		1 x 6"	13.50	13.50	8.00	8.00	11.75	12.25	8.00	2.25	15.75	Quick Dump Rinse
QDR81		1 x 8"	16.50	16.50	11.00	11.00	14.75	15.25	10.00	5.25	17.75	Quick Dump Rinse
QDR42		2 x 4"	17.00	13.00	11.50	7.50	15.25	11.75	6.00	2.25	13.75	Quick Dump Rinse
QDR52		2 x 5"	19.50	13.00	14.00	7.50	17.75	11.75	7.00	3.00	14.75	Quick Dump Rinse
QDR62		2 x 6"	21.50	13.50	16.00	8.00	19.75	12.25	8.00	4.50	15.75	Quick Dump Rinse (2 dump doors)
QDR82		2 x 8"	27.00	16.50	21.50	11.00	25.25	15.25	10.00	10.25	17.75	Quick Dump Rinse (2 dump doors)
QDR426		2 x 4", 1 x 6"	17.00	13.50	11.50	8.00	15.25	12.25	8.00	3.25	15.75	Quick Dump Rinse
QDR628		2 x 6", 1 x 8"	21.50	16.50	16.00	11.00	19.75	15.25	10.00	7.75	17.75	Quick Dump Rinse (2 dump doors)
QDR41	AT	1 x 4"	14.00	13.00	8.50	8.50	12.25	11.25	7.00	2.25	14.75	Quick Dump Rinse for Transfer Arm, No Retractable Lid
QDR51	AT	1 x 5"	14.00	13.00	8.50	8.50	12.25	11.25	8.00	2.50	15.75	Quick Dump Rinse for Transfer Arm, No Retractable Lid
QDR61	AT	1 x 6"	14.50	13.50	9.00	9.00	12.75	11.75	9.00	3.25	16.75	Quick Dump Rinse for Transfer Arm, No Retractable Lid
QDR81	AT	1 x 8"	17.50	16.50	12.00	12.00	15.75	14.75	11.00	7.00	18.75	Quick Dump Rinse for Transfer Arm, No Retractable Lid
QDR42	AT	2 x 4"	18.00	13.00	12.50	8.50	16.25	11.25	7.00	3.25	14.75	Quick Dump Rinse for Transfer Arm, No Retractable Lid
QDR52	AT	2 x 5"	20.50	13.00	15.00	8.50	18.75	11.25	8.00	4.50	15.75	Quick Dump Rinse for Transfer Arm, No Retractable Lid
QDR62	AT	2 x 6"	22.50	13.50	17.00	9.00	20.75	11.75	9.00	6.00	16.75	Quick Dump Rinse for Transfer Arm (2 dump doors), No Retractable Lid
QDR82	AT	2 x 8"	28.00	16.50	22.50	12.00	26.25	14.75	11.00	13.00	18.75	Quick Dump Rinse for Transfer Arm (2 dump doors), No Retractable Lid
QDR426	AT	2 x 4", 1 x 6"	18.00	13.50	12.50	9.00	16.25	11.75	9.00	4.50	16.75	Quick Dump Rinse for Transfer Arm, No Retractable Lid
QDR628	AT	2 x 6", 1 x 8"	22.50	16.50	17.00	12.00	20.75	14.75	11.00	9.75	18.75	Quick Dump Rinse for Transfer Arm (2 dump doors), No Retractable Lid



SIDE VIEW



TOP VIEW



SIDE VIEW

